

## AXIS P5534 PTZ Dome Network Camera

HDTV pan/tilt/zoom camera with 18x zoom for indoor applications.



- > HDTV 720p and H.264
- > IP51-rated protection against dust and dripping water
- > High Power over Ethernet
- > 18x optical zoom
- > Advanced Gatekeeper functionality

AXIS P5534 PTZ Dome Network Camera offers superb HDTV-quality video and 18x zoom for indoor surveillance applications. With an IP51-rated protection against dust and dripping water, it is ideal for use at airports, train stations, warehouses, shops and schools.

AXIS P5534 provides HDTV 720p in compliance with SMPTE 296M standard of 1280 x 720 pixel resolution, full frame rate, high color fidelity and a 16:9 format. The camera has day and night functionality for high image quality in low light conditions. It can also deliver multiple H.264 and Motion JPEG streams simultaneously. H.264 greatly optimizes bandwidth and storage without compromising image quality.

The camera's IP51 rating ensures reliable operation even in dusty and potentially wet indoor conditions. Support for High Power over Ethernet also makes installation easy since only one cable is needed for carrying power, video and PTZ commands. A High PoE midspan is supplied with the camera.

The PTZ camera provides 18x optical and 12x digital zoom with autofocus. It can pan 360° due to the unique Auto-flip functionality, which allows the camera to simulate a continuous pan.

AXIS P5534 offers the Advanced Gatekeeper functionality, which enables the camera to automatically pan, tilt and zoom in when there is activity in the scene and return to a pre-determined position after a preset time. Other features include two-way audio and audio detection, in addition to four configurable inputs/outputs for connection to external devices such as sensors and relays. Local storage with SDHC is also supported.

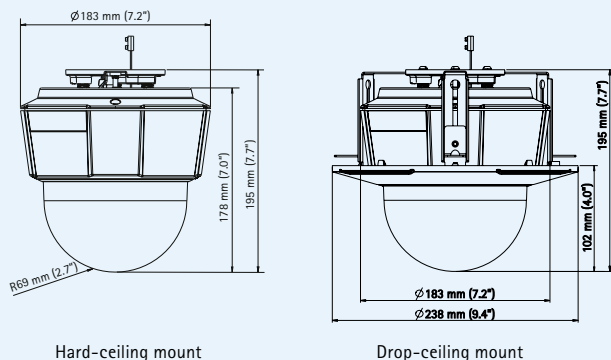


## Technical specifications – AXIS P5534 PTZ Dome Network Camera

Camera	
<b>Models</b>	AXIS P5534 60 Hz (NTSC) AXIS P5534 50 Hz (PAL)
<b>Image sensor</b>	1/3" Progressive Scan CCD 1.3 Megapixel
<b>Lens</b>	Zoom 4.7 – 84.6 mm, F1.6 – 2.8, autofocus, automatic day/night Horizontal angle of view: 3.2° – 55.2°
<b>Minimum illumination</b>	Color: 0.74 lux at 30 IRE F1.6 B/W: 0.04 lux at 30 IRE F1.6
<b>Shutter time</b>	1/10 000 s – 1/4 s
<b>Pan/Tilt/Zoom</b>	E-flip, Auto-flip, 100 preset positions Pan: 360° (with auto-flip), 0.2 – 300°/s; Tilt: 180°, 0.2 – 300°/s 18x optical zoom and 12x digital zoom, total 216x zoom Control queue
Video	
<b>Video compression</b>	H.264 (MPEG-4 Part 10/AVC) Motion JPEG
<b>Resolutions</b>	HDTV 720p 1280x720 – 320x180
<b>Frame rate</b>	H.264: Up to 30/25 (NTSC/PAL) fps in all resolutions Motion JPEG: Up to 30/25 (NTSC/PAL) fps in all resolutions
<b>Video streaming</b>	Multi-stream H.264 and Motion JPEG Controllable frame rate and bandwidth VBR/CBR H.264
<b>Image settings</b>	Compression, color, brightness, sharpness, white balance, exposure control Text and image overlay, privacy mask
Audio	
<b>Audio streaming</b>	Two-way, half duplex
<b>Audio compression</b>	AAC-LC 8/16 kHz, G.711 PCM 8 kHz, G.726 ADPCM 8 kHz Configurable bit rate
<b>Input/output</b>	External microphone input or line input, line output
Network	
<b>Security</b>	Password protection, IP address filtering, HTTPS* encryption, IEEE 802.1X* network access control, digest authentication, user access log
<b>Supported protocols</b>	IPv4/v6, HTTP, HTTPS*, QoS Layer 3 DiffServ, FTP, SMTP, Bonjour, UPnP, SNMPv1/v2c/v3 (MIB-II), DNS, DynDNS, NTP, RTSP, RTP, TCP, UDP, IGMP, RTCP, ICMP, DHCP, ARP, SOCKS

\* This product includes software developed by the OpenSSL Project for use in the OpenSSL Toolkit. ([www.openssl.org](http://www.openssl.org))

### Dimensions



System integration	
<b>Application Programming Interface</b>	Open API for software integration, including VAPIX® from Axis Communications available at <a href="http://www.axis.com">www.axis.com</a>
<b>Intelligent video</b>	Video motion detection, audio detection, Advanced Gatekeeper
<b>Alarm triggers</b>	Intelligent video, external input, PTZ position, temperature
<b>Alarm events</b>	File upload via FTP, HTTP and email Notification via email, HTTP and TCP External output PTZ position Local storage
<b>Video buffer</b>	96 MB pre- and post-alarm
General	
<b>Casing</b>	IP51-rated, metal casing (aluminum), acrylic (PMMA) clear dome
<b>Processors and memory</b>	ARTPEC-3, 256 MB RAM, 128 MB Flash
<b>Power</b>	24–34 V DC, max. 17 W; 20–24 V AC, max. 23.6 VA High Power over Ethernet IEEE 802.3at (D3.0), max. 17 W AXIS T8123 High PoE Midspan 1-port included: 100–240 V AC, max. 1.5 A
<b>Connectors</b>	RJ-45 for 10BASE-T/100BASE-TX PoE Terminal blocks for power, 4 configurable alarm inputs/outputs 3.5 mm mic/line in, 3.5 mm line out
<b>Local storage</b>	SD/SDHC memory card slot (Card is not included)
<b>Operating conditions</b>	0 °C to 50 °C (32 °F to 122 °F) Humidity 20 – 80% RH (non-condensing)
<b>Approvals</b>	EN 55022 Class B, EN 61000-3-2, EN 61000-3-3, EN 55024, FCC Part 15 Subpart B Class B, ICES-003 Class B, VCCI Class B, C-tick AS/NZS CISPR 22, EN 60950-1, KCC Class B IEC 60721-4-3 Class 3K3, 3M3, EN/IEC 60068-2 Midspan: EN 60950-1, GS, UL, cUL, CE, VCCI, CB
<b>Weight</b>	1.8 kg (4 lb.)
<b>Included accessories</b>	AXIS T8123 High PoE Midspan 1-port, mounting kit for hard and drop ceilings, clear and smoked dome cover, Installation Guide, CD with User's Manual, recording software, installation and management tools, Windows decoder 1-user license

Specifications are confirmed at product launch.

### Optional accessories

AXIS T91A Brackets



AXIS 295 Video Surveillance Joystick



AXIS T90A Illuminators



For information on AXIS Camera Station and video management software from Axis' Application Development Partners, see [www.axis.com/products/video/software/](http://www.axis.com/products/video/software/)